

Slimline VERTICAL BLINDS

FITTING GUIDE

Tools Required



Pencil



Drill



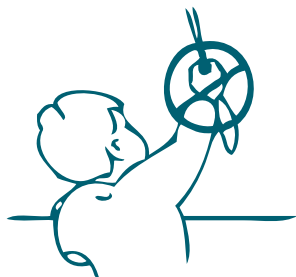
Screw driver



Tape Measure



Child Safety



Young children can be strangled by loops in pull cords, chains, tapes and inner cords that operate the product. To avoid strangulation and entanglement, keep cords out of the reach of young children.

Cords may become wrapped around a child's neck. Move beds, cots and furniture away from window covering cords.

Do not tie cords together. Make sure cords do not twist and create a loop.

Safety Device

Children can strangle if this safety device is not installed. Always use this device to keep cords or chains out of reach of children.

Fitting the Safety Device

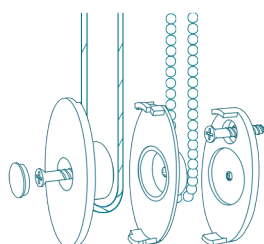
1: Keeping both parts of the device clamped together around the chain remove the red connector.

2: Making sure the chain is fully taut vertically, Mark a hole using the center of the device as a guide.

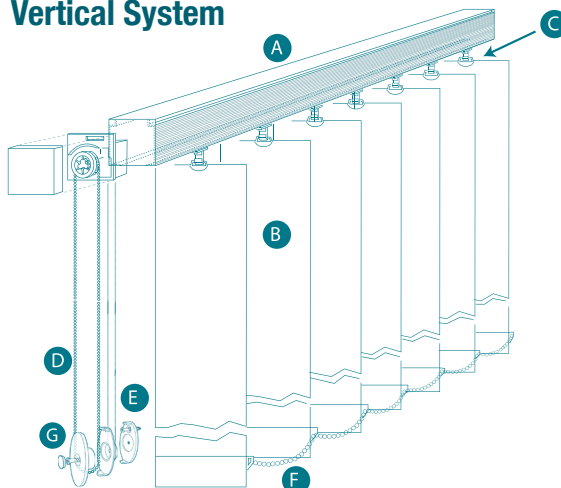
3: Separate the device and re-align the mark with the center of the device and mark the position of the second hole above the center hole.

4: Screw through the top hole securing the inner part of the device to the wall. (Use wall plugs if necessary)

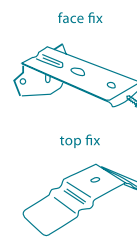
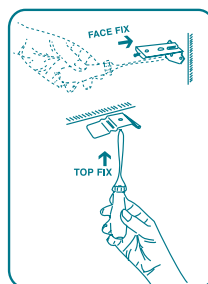
5: Secure the outer part of the safety device with the chain wrapped around the center by screwing through the middle section, ensuring both parts fit tight together.



Vertical System



- A Headrail
- B Vanes
- C Top Clip
- D Tilt Chain
- E Control Cord
- F Link Chain
- G Child Safety



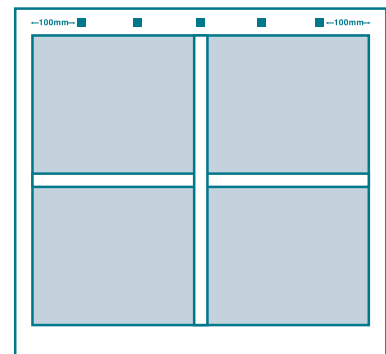
Preparation:

1. Confirm the location of the brackets on the window, options are: Top fix or face fix as shown above.

2. Please ensure a minimum distance of 50mm (2") is kept from the window frame or any obstructing handles for 89mm vane sizes. For 127mm vane sizes, a minimum distance of

75mm (3") is required.

3. Fix the first two brackets 100mm from either end of the window frame or wall and spread the remainder of the brackets supplied evenly across the width of the window.

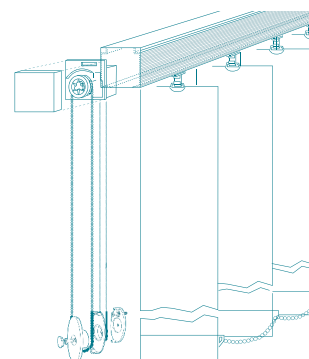


Top Fix Brackets - After fixing the brackets into place, hook the front ridge of the headrail into the front of the top clip, then push the rail up until the back ridge slides in and clips to the back of the top clip.

Face Fix Brackets - Hook the back ridge of the headrail into place first and then push the head rail into place at the front of the bracket and tighten the front screw to secure the headrail.

Hanging The Louvres

Pull on the control cord (E) to draw the carriers across the width of the rail and then use the tilt chain (D) to tilt the carriers so that the clips are facing either to the left or right before hanging the louvres onto the carriers.



Please Note: if the louvres are hung onto the carrier whilst the clip of the carriers are facing either to the front or the back of the window, then the tilt mechanism will lock.