

# 15, 25 & 50mm VENETIAN BLINDS

## FITTING GUIDE

### Tools Required



Pencil



Drill



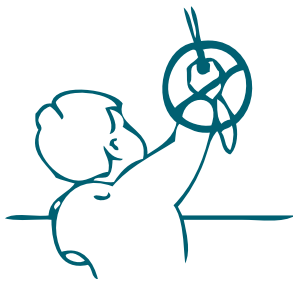
Screw driver



Tape Measure



### Child Safety



Young children can be strangled by loops in pull cords, chains, tapes and inner cords that operate the product. To avoid strangulation and entanglement, keep cords out of the reach of young children.

Cords may become wrapped around a child's neck. Move beds, cots and furniture away from window covering cords.

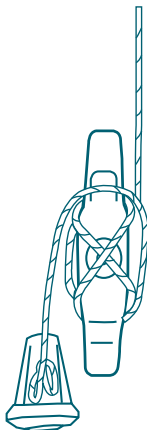
Do not tie cords together. Make sure cords do not twist and create a loop.

### Safety Device

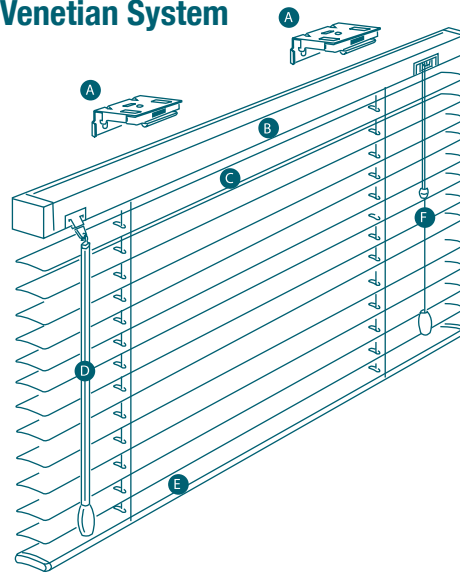
Children can strangle if this safety device is not installed. Always use this device to keep cords or chains out of reach of children.

### Fitting the Cleat Device

Fit cleat minimum 1.5 meter above the floor. Ensure cords are fully wrapped around the cleat after use.



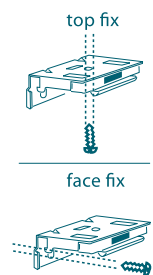
### Venetian System



- A** Brackets
- B** Headrail
- C** Slats
- D** Tilter
- E** Bottom bar
- F** Cord lift

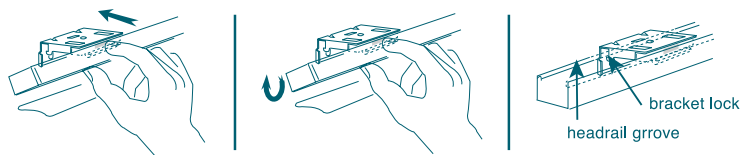
### Preparation:

1. Confirm the location of the brackets on the window, options are: Top fix or face fix as shown above.
2. Mark with a pencil where the brackets are to be fixed. The first two brackets should be placed as close to the ends of the blind as possible, ensuring that the brackets avoid the control mechanism. Larger blinds will require the remainder of the brackets supplied to be spaced evenly throughout the width of the head rail to ensure sufficient support.
- Avoid the string supports when marking the positions of the extra brackets



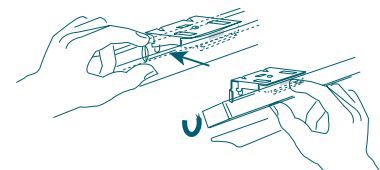
### Fitting The Blind

1. Tilt the headrail & insert into the brackets whilst applying pressure on to headrail directly in front of the bracket as shown.
2. Pressing the headrail inwards, now tilt the headrail upwards whilst applying pressure on the thumb as shown.
3. Ensure that the groove on the reverse of the headrail slides into the bracket lock before releasing your hand.



### To Remove The Blind For Cleaning

To release the blind from the bracket press the rail from the front towards the back and tilt downwards as shown in the diagram.



### Swivel Brackets

blind If you are installing swivel brackets please ensure the swivel arm is in the open position as per the picture on the right. Insert the headrail into the bracket securing the underside of the headrail. Push the swing arm clockwise until it locks into place. To release the blind, twist the swivel arm on all brackets anti-clockwise and remove the blind.

