

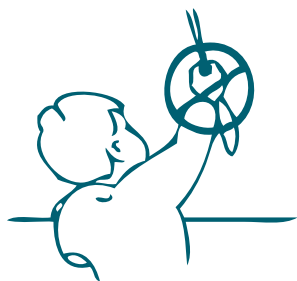
Cord Lock System ROMAN BLINDS

FITTING GUIDE

Tools Required



Child Safety



Young children can be strangled by loops in pull cords, chains, tapes and inner cords that operate the product. To avoid strangulation and entanglement, keep cords out of the reach of young children.

Cords may become wrapped around a child's neck. Move beds, cots and furniture away from window covering cords.

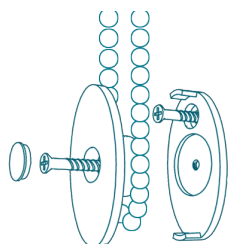
Do not tie cords together. Make sure cords do not twist and create a loop.

Safety Device

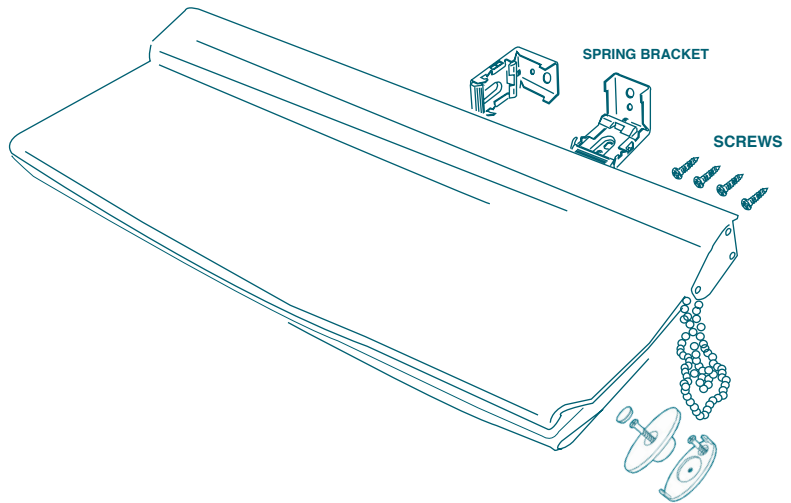
Children can strangle if this safety device is not installed. Always use this device to keep cords or chains out of reach of children.

Fitting the Safety Device

- 1: Keeping both parts of the device clamped together around the chain remove the red connector.
- 2: Making sure the chain is fully taut vertically, Mark a hole using the center of the device as a guide.
- 3: Separate the device and re-align the mark with the center of the device and mark the position of the second hole above the center hole.
- 4: Screw through the top hole securing the inner part of the device to the wall. (Use wall plugs if necessary)
- 5: Secure the outer part of the safety device with the chain wrapped around the center by screwing through the middle section, ensuring both parts fit tight together.

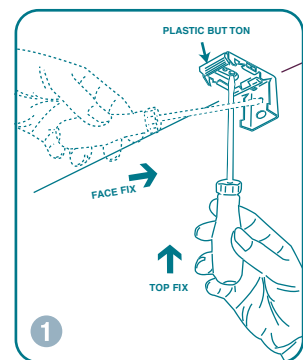


Roman System



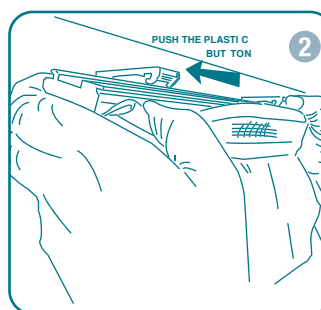
Preparation

1. Confirm the location of the brackets on the window, options are: Top fix or face fix as shown above.
2. Mark with a pencil where the brackets are to be fixed. The first two brackets should be placed as close to the ends of the blind as possible, ensuring that the brackets avoid the control mechanism. Larger blinds will require the remainder of the brackets supplied to be spaced evenly throughout the width of the head rail to ensure sufficient support. Avoid the string supports when marking the positions of the extra brackets



Fitting The Blind

- 1- Tilt the headrail & insert into the brackets whilst applying pressure on to headrail directly in front of the bracket as shown.



- 2- Pressing the headrail inwards, now tilt the headrail upwards whilst applying pressure on the thumb as shown.

- 3- Ensure that the groove on the reverse of the headrail slides into the bracket lock before releasing your hand.

- 4- Install the cleat hook in the window recess or behind the blind and wrap loose cord around the cleat.

Please ensure the hook is installed high enough to avoid children being able to reach it. Operation Pull gently on the control chain to raise and lower blind to desired level.

To Remove The Blind For Cleaning

To release the blind from the bracket press the rail from the front towards the back and tilt downwards as shown in the diagram.