

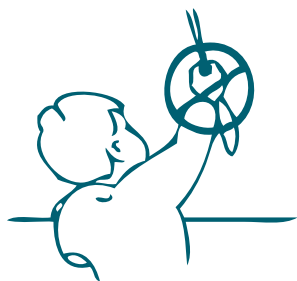
# Deluxe System ROMAN BLINDS

## FITTING GUIDE

### Tools Required



### Child Safety



Young children can be strangled by loops in pull cords, chains, tapes and inner cords that operate the product. To avoid strangulation and entanglement, keep cords out of the reach of young children.

Cords may become wrapped around a child's neck. Move beds, cots and furniture away from window covering cords.

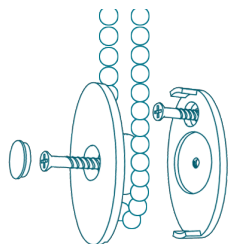
Do not tie cords together. Make sure cords do not twist and create a loop.

### Safety Device

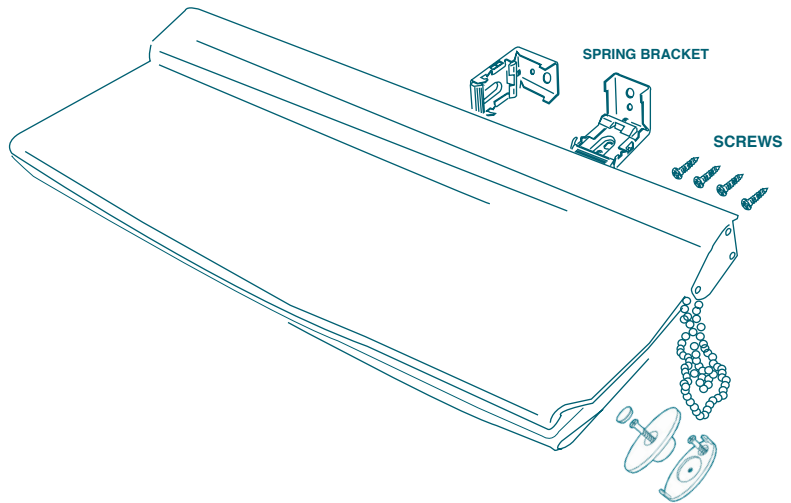
Children can strangle if this safety device is not installed. Always use this device to keep cords or chains out of reach of children.

### Fitting the Safety Device

- 1: Keeping both parts of the device clamped together around the chain remove the red connector.
- 2: Making sure the chain is fully taut vertically, Mark a hole using the center of the device as a guide.
- 3: Separate the device and re-align the mark with the center of the device and mark the position of the second hole above the center hole.
- 4: Screw through the top hole securing the inner part of the device to the wall. (Use wall plugs if necessary)
- 5: Secure the outer part of the safety device with the chain wrapped around the center by screwing through the middle section, ensuring both parts fit tight together.



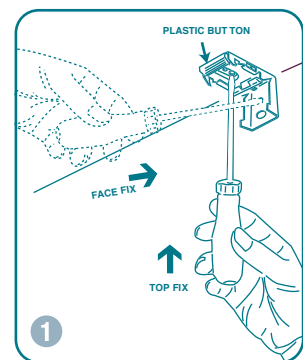
### Deluxe System



### Deluxe System

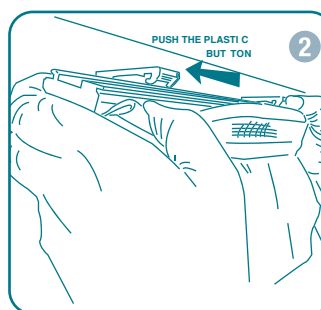
Preparation:

1. Confirm the location of the brackets on the window, options are: Top fix or face fix as shown in fig[1].
2. Mark with a pencil where the brackets are to be fixed.



### Fitting The Blind

1. The first two brackets should be placed as close to the ends of the blind as possible, ensuring that the brackets avoid the control mechanism. Larger blinds will require the remainder of the brackets supplied to be spaced evenly throughout the width of the head rail to ensure sufficient support.



2. After screwing brackets firmly into place, insert the head rail whilst pushing the plastic button as shown in fig[2]. Ensure that the head rail groove is properly placed in the bracket lock, and then release the button.

### Operation

Pull gently on the control chain to raise and lower blind to desired level.