

PANEL BLINDS

FITTING GUIDE

Tools Required



Child Safety



Young children can be strangled by loops in pull cords, chains, tapes and inner cords that operate the product. To avoid strangulation and entanglement, keep cords out of the reach of young children.

Cords may become wrapped around a child's neck. Move beds, cots and furniture away from window covering cords.

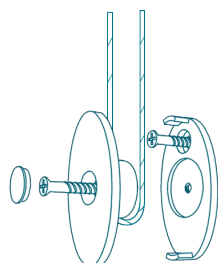
Do not tie cords together. Make sure cords do not twist and create a loop.

Safety Device

Children can strangle if this safety device is not installed. Always use this device to keep cords or chains out of reach of children.

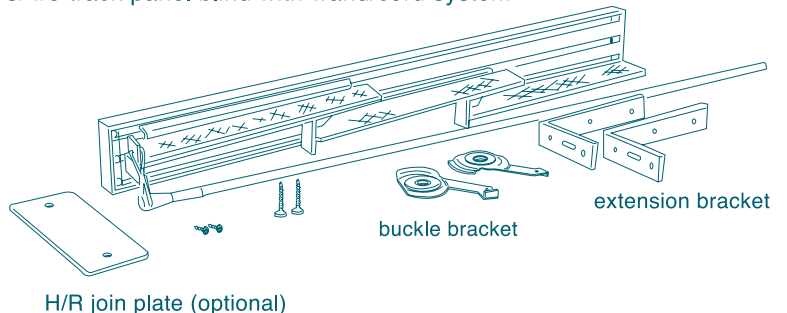
Fitting the Safety Device

- 1: Keeping both parts of the device clamped together around the chain remove the red connector.
- 2: Making sure the chain is fully taut vertically, Mark a hole using the center of the device as a guide.
- 3: Separate the device and re-align the mark with the center of the device and mark the position of the second hole above the center hole.
- 4: Screw through the top hole securing the inner part of the device to the wall. (Use wall plugs if necessary)
- 5: Secure the outer part of the safety device with the chain wrapped around the center by screwing through the middle section, ensuring both parts fit tight together.



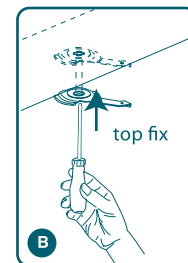
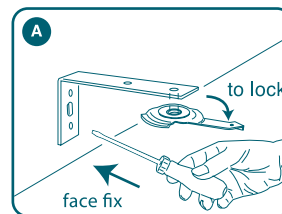
Panel System

3/4/5 track panel blind with wand/cord system



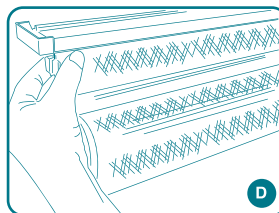
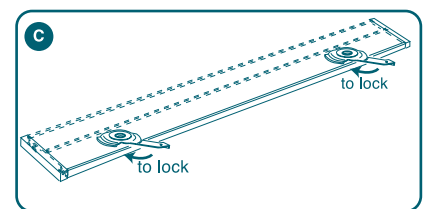
Preparation

1. Confirm the location of the brackets on the window, options are: Top fix as shown in fig(B) or face fix in fig(A).
2. Mark with the pencil for fixing the brackets approx. 100mm from the edge of each side of the blind. face fix



Fitting The Headrail

1. The first two brackets should be placed as close to the ends of the blind as possible, ensuring that the brackets avoid the control mechanism. Larger blinds will require the remainder of the brackets supplied to be spaced evenly throughout the width of the head rail to ensure sufficient support.
2. After screwing brackets firmly into place, ensure all buckle locks are in the 'open' position as shown in fig(C), then insert the head rail into the brackets and firmly close the buckle locks.



Applying Fabrics

Start applying the fabric as shown in fig(D) to the fixed head rail, starting from the first locked channel.

Joining Two Blinds

To join two blinds together for the same window, use the H/R joining plate to fasten the two rails. The H/R join plate should be screwed in such a manner that both blinds are aligned in a straight line to look like a single unit.

