

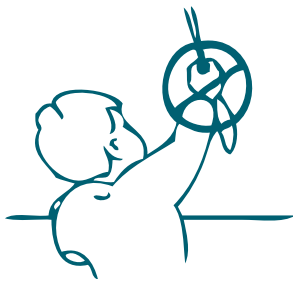
# 32mm & 45mm System ROLLER BLINDS

## FITTING GUIDE

### Tools Required



### Child Safety



Young children can be strangled by loops in pull cords, chains, tapes and inner cords that operate the product. To avoid strangulation and entanglement, keep cords out of the reach of young children.

Cords may become wrapped around a child's neck. Move beds, cots and furniture away from window covering cords.

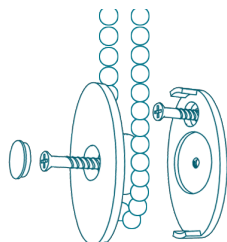
Do not tie cords together. Make sure cords do not twist and create a loop.

### Safety Device

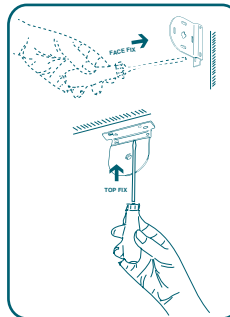
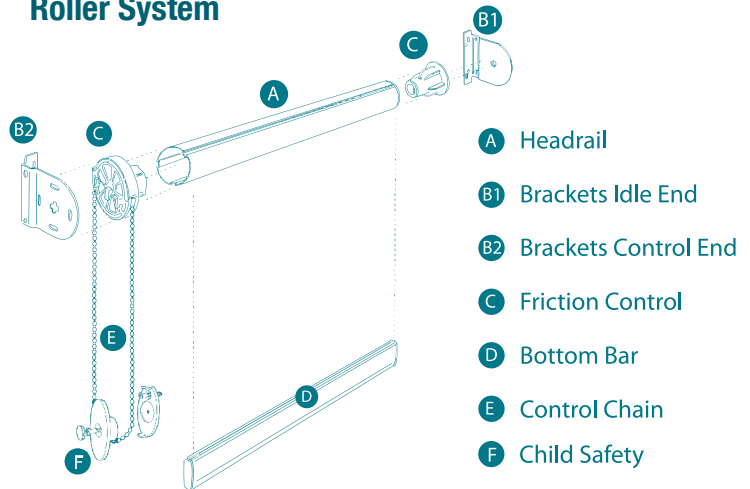
Children can strangle if this safety device is not installed. Always use this device to keep cords or chains out of reach of children.

### Fitting the Safety Device

- 1: Keeping both parts of the device clamped together around the chain remove the red connector.
- 2: Making sure the chain is fully taut vertically, Mark a hole using the center of the device as a guide.
- 3: Separate the device and re-align the mark with the center of the device and mark the position of the second hole above the center hole.
- 4: Screw through the top hole securing the inner part of the device to the wall. (Use wall plugs if necessary)
- 5: Secure the outer part of the safety device with the chain wrapped around the center by screwing through the middle section, ensuring both parts fit tight together.



### Roller System



face fix

top fix

### Preparation:

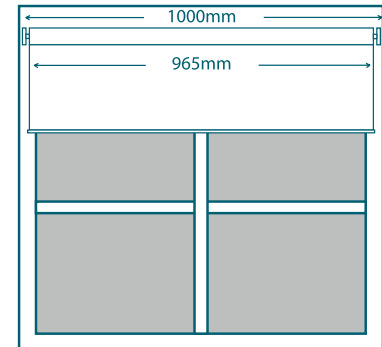
1. Identify the side of the blind that contains the control chain, this is known as the "control end" and should be fixed to the bracket that has a "+" sign located in the middle (B2). The opposite end with a single pin in the middle is known as the "idle end" and is fixed to the bracket with the small hole in the middle (B1).

2. Confirm the location of the brackets on the window option are

: Top Fix, Face Fix or Side Fix

3. The brackets supplied with this blind are standard and therefore if you have any handles obstructing the free flow of the fabric please order the blind as a "reverse roll" which means having the roller tube between the fabric and the brackets or request extension brackets.

4. To calculate the spacing between the brackets, add 35mm to the tube length. Fix the brackets ensuring the outside of the brackets are tube +35mm apart. For example if the tube is 965mm the outside of the brackets should measure 1000mm as per the diagram.



### Fitting The Blind

1. Hold the blind up to the brackets with the fabric hanging to the back of the roller tube for a standard blind. Please note if the blind has been ordered as a reverse roll, the fabric should hang to the front of the roller tube.
2. Fit the idle end of the roller blind into the bracket with a small circular hole (B1) and push it gently into the bracket, you will notice that a spring tension on the idle end will press inwards.
3. Fit the control end into the opposite bracket (B2) by placing the locating hook into the vertical part of the "+" sign and allow the hook to drop downwards, securing the blind. The spring tension in the idle end will ensure a snug fit.

### Operating The Blind

Pull gently on the control chain (E) to raise and lower blind to desired level.